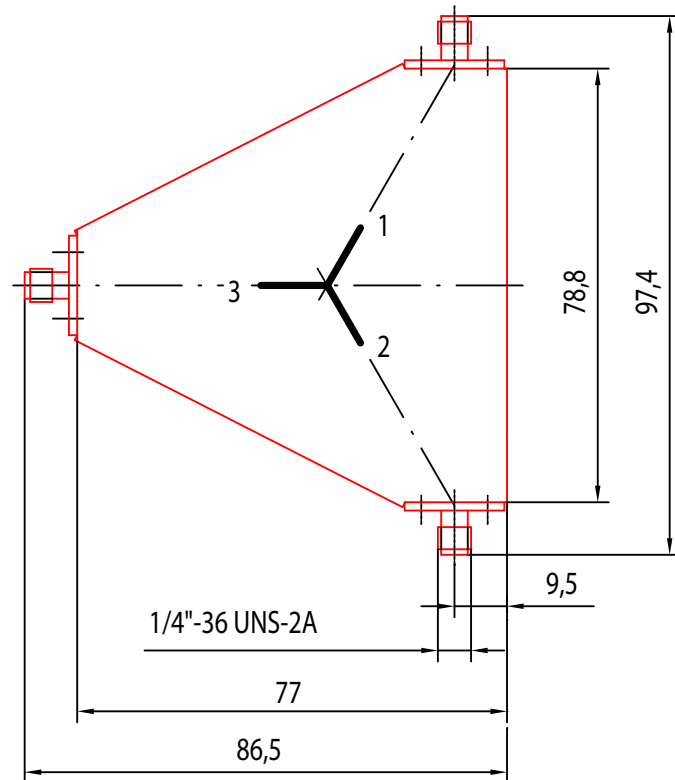
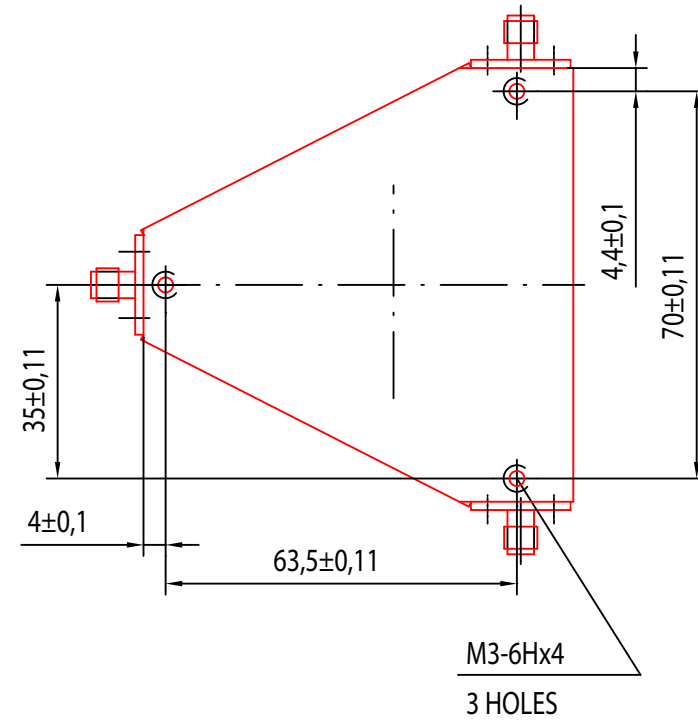



A



A



UNLESS OTHERWISE SPECIFIED DIMENSIONS ARE IN MM TOLERANCES ON	APPROVALS		DATE	 <b>D&amp;M Co "Ferrit-Quasar"</b> 196084, Russia, St. Petersburg, Chernigovskaya St. 8 Phone/fax: 7 812 3887915/7 812 3883145 E-mail: info@ferrite-quasar.ru WWW: www.ferrite-quasar.ru
	DRAWN	SEROVA	29.05.12	
DECIMALS      ANGLES .X± .1 .XX± - .XXX± -	CHECKED	GOROBETS	29.05.12	<b>3CCB16-1-Sfff</b> OUTLINE DRAWING
	ISSUED			
MATERIAL				N° DWG <b>FQ-C-0082</b>
SURFACE COATING NICEL PLATED	SIZE    A3	SCALE    1:1		
	SHEET    -	OF        1		