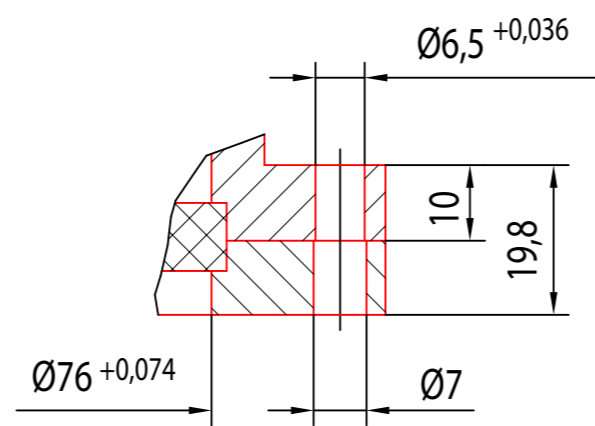
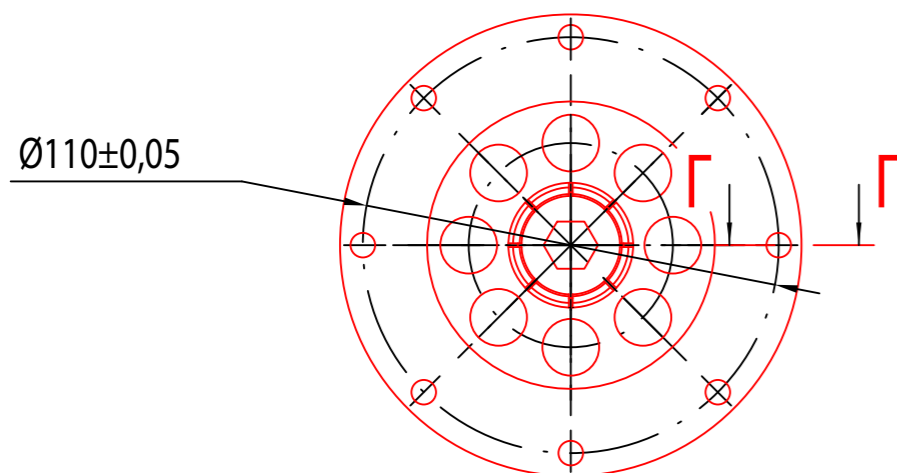



A (1:2) ; B (1:2) ; C (1:2)

F-F (1:1)



UNLESS OTHERWISE SPECIFIED DIMENSIONS ARE IN MM TOLERANCES ON	APPROVALS		DATE	 D&M Co "Ferrit-Quasar" 196084, Russia, St. Petersburg, Chernigovskaya St. 8 Phone/fax : 7 812 3887915/7 812 3883145 E-mail : info@ferrite-quasar.ru WWW : www.ferrite-quasar.ru
	DRAWN	MIKHAYLOVA	21.02.12	
DECIMALS .X0 .2 .XX0 - .XXX0 -	CHECKED	GOROBETS	21.02.12	
ANGLES -	ISSUED			
MATERIAL				2CCH43-1 OUTLINE DRAWING
SURFACE COATING PAINTED	SIZE A3	SCALE 1:4		№ DWG FQ-C-0071
	SHEET -	OF 1		